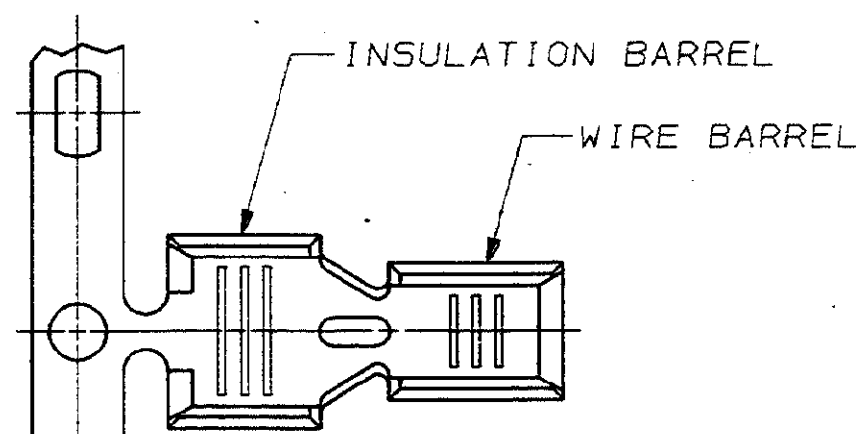


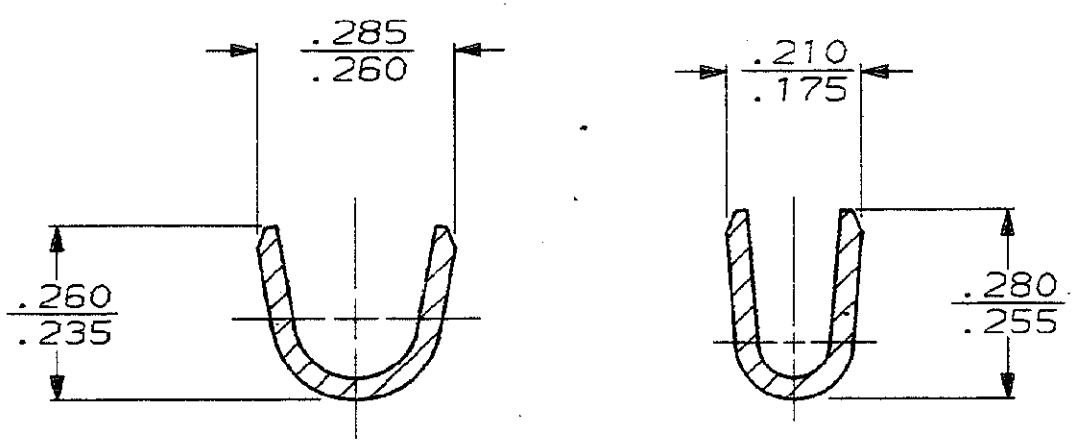
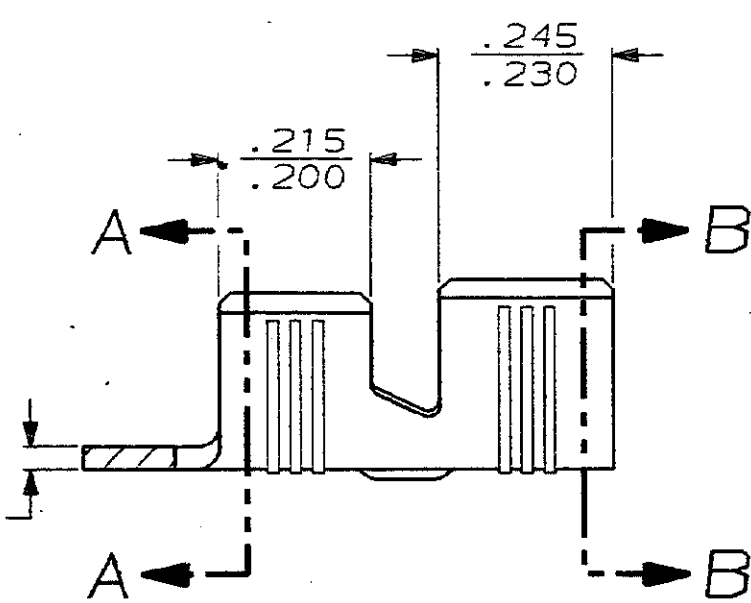
THIS DRAWING IS UNPUBLISHED. RELEASED FOR PUBLICATION ,19

© COPYRIGHT 19 BY AMP INCORPORATED. ALL INTERNATIONAL RIGHTS RESERVED.

LOC	DIST	P	F	ZONE	LTR	DESCRIPTION	DATE	APPD
AF	50					REVISIONS		
					K	REDRAWN PER AF-5425	9/8/88	MSF



1 CONTINUOUS STRIP ON REELS.



SECTION A-A SECTION B-B

61300-1

PART NO

DO NOT SCALE PRINT.
UNLESS SPECIFIED
DIMENSIONS IN INCHES
TOLERANCES ON:
2 PLC DEC ± -
3 PLC DEC ± .010
ANGLES ± -
MATERIAL
#3 HARD STEEL
FINISH
.000080 MIN
TIN

DR MSF 9/8/88
CHK N/R 7/12/88
APPD [Signature] 9/12/88
APPD [Signature] 9/12/88
PRODUCT SPEC
APPLICATION SPEC
WEIGHT -

AMP AMP INCORPORATED
Harrisburg, Pa. 17105

NAME
SPLICE WITH INSULATION SUPPORT

SIZE **B** FSCM NO 00779 DRAWING NO 61300

SCALE 4:1 SHEET 1 OF 1